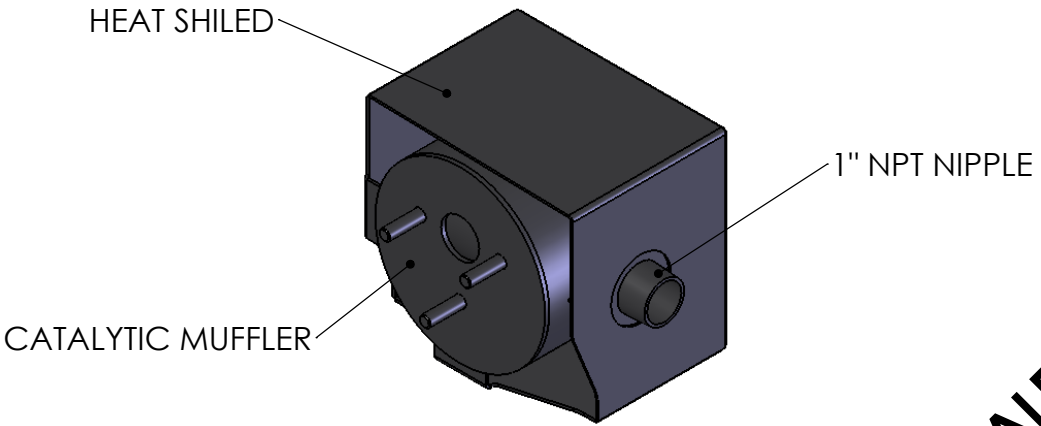
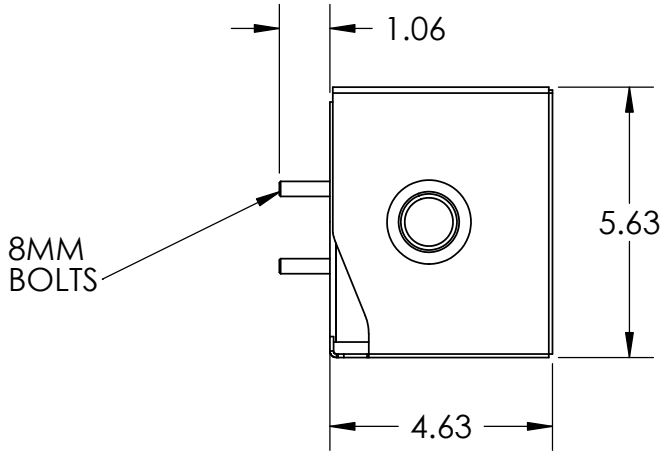
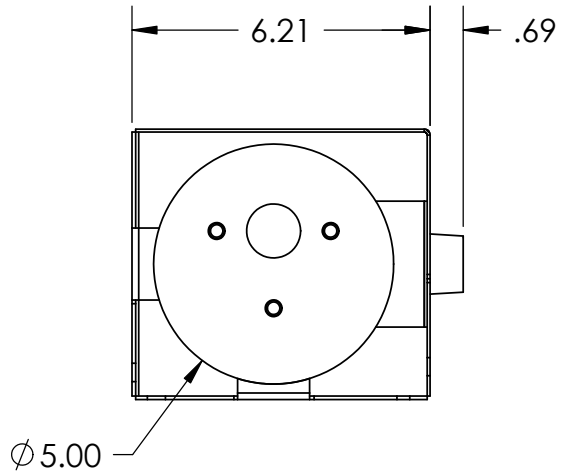


REVISIONS				
ZONE	REV.	DESCRIPTION	DATE	APPROVED



**SALES COPY**



- NOTES:**
- (1) MAKE:HONDA
  - (2) MODEL:GX340/GX370/GX390
  - (3) ENGINE:HONDA GAS (11-15)HP
  - (4) FINISH: FLAT BLACK

**CATALYTIC EXHAUST PRODUCTS LIMITED**

30 INTERMODEL DR. #19-22, BRAMPTON, ON  
 TEL:(905)-799-9770 FAX:(905)-799-9771

TOLERANCES ARE AS FOLLOWS  
 UNLESS NOTED OTHERWISE

1 DEC PLACE ±.015  
 2 DEC PLACES ±.010  
 3 DEC PLACES ±.005

**3SXT-GX340/390**

DRAWN BY:  
Mike.B

**B** DWG. NO.  
SALES,3SXT-GX340-390

REV

ISSUED:9/23/2008

SCALE:N/A

WEIGHT:

SHEET 1 OF 1