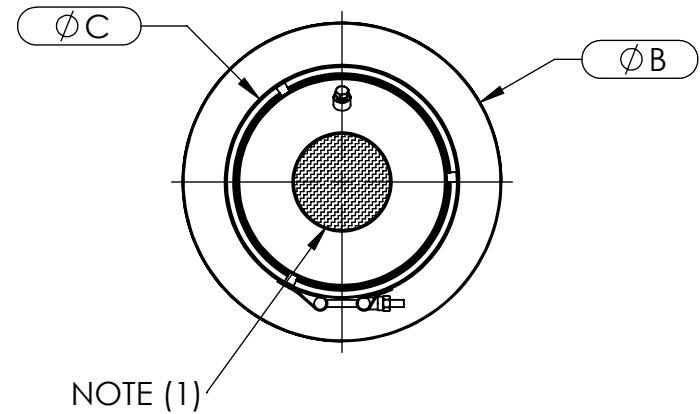
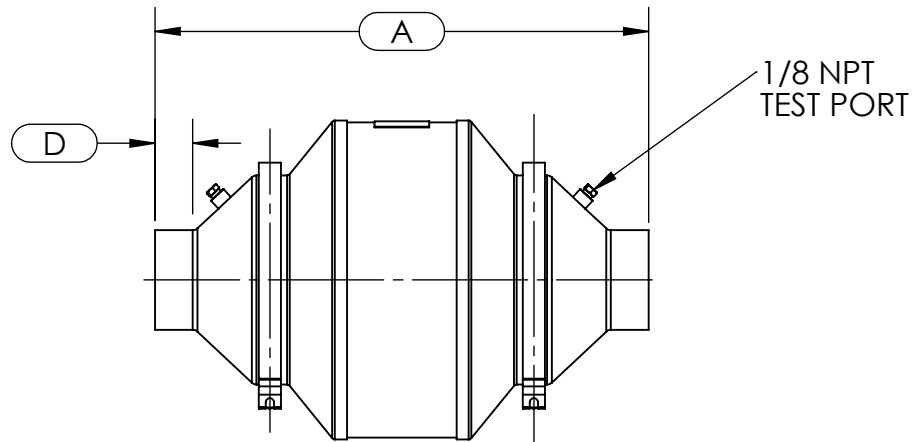
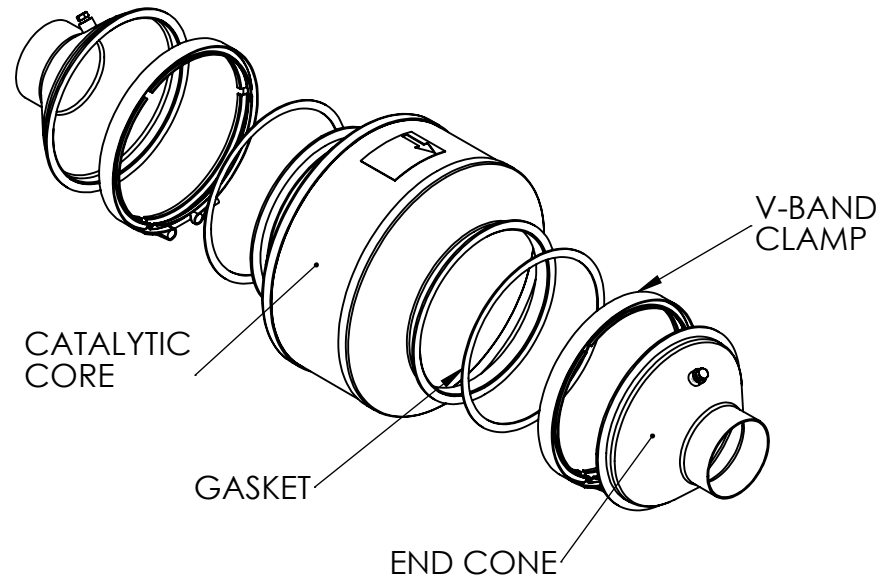


**NOTES:**

- (1) INLET AND OUTLET DIAM ARE AVAILABLE IN 2.50,2.75,3.00",3.5",4.0",4.50",5.00" AND 6.00"ID  
OTHER SIZES IN IMPERIAL,METRIC,NPT PIPE  
AND ANSI FLANGES ARE AVAILABLE UPON REQUEST.
- (2) FINISH: FLAT BLACK



<b>CATALYTIC EXHAUST PRODUCTS LIMITED</b>					
30 INTERMODEL DR. # 19-22, BRAMPTON, ON TEL:(905)-799-9770 FAX:(905)-799-9771					
<b>MODEL</b>	<b>HP</b>	<b>A</b>	<b>Ø B</b>	<b>Ø C</b>	<b>D</b>
10SXC-F	191-265 HP	18.00	10.00	8.56	1.25
12SXC-F	266-335 HP	18.00	11.60	8.56	1.25
14SXC-F	336-450 HP	20.8	13.00	8.56	1.25
16SXC-F	451-640 HP	20.8	15.00	8.56	1.25

TOLERANCES ARE AS FOLLOWS  
UNLESS NOTED OTHERWISE  
 1 DEC PLACE ±.015  
 2 DEC PLACES ±.010  
 3 DEC PLACES ±.005

MODEL 10SXC-F TO 16SXC-F  
DIMENSIONAL DETAIL

DRAWN BY: Mike.B **B** DWG. NO. 10SXC-F\_16SXC-F REV

ISSUED:05/10/2006 SCALE:N/A WEIGHT: SHEET 1 OF 1