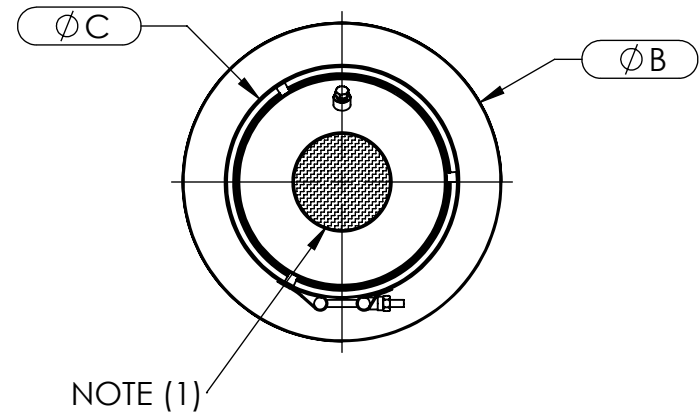
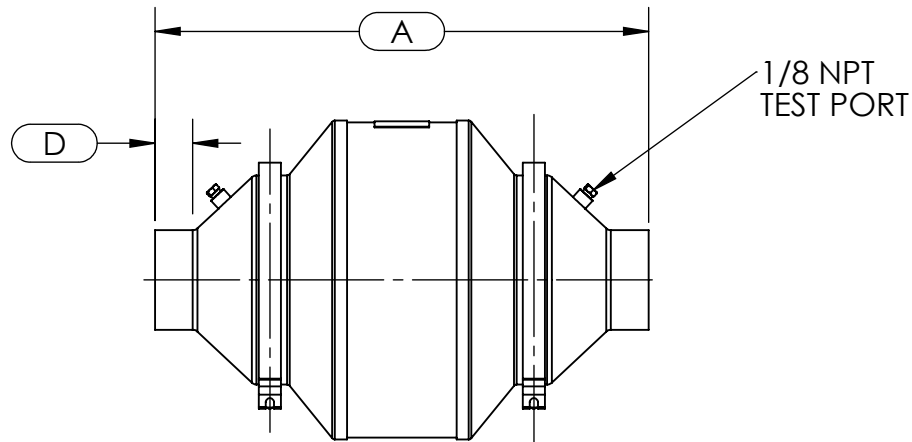
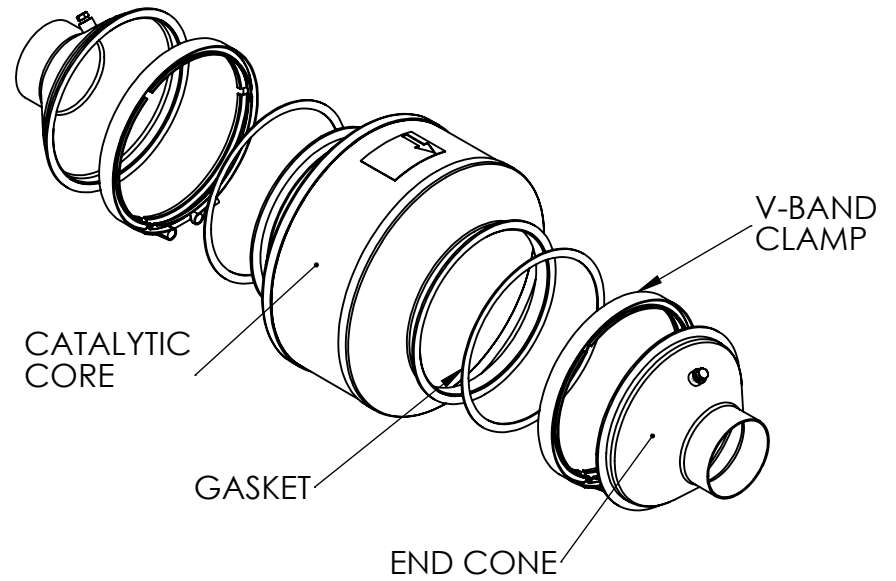


**NOTES:**

- (1) INLET AND OUTLET DIAM ARE AVAILABLE IN 2.50,2.75,3.00",3.5",4.0",4.50",5.00" AND 6.00"ID OTHER SIZES IN IMPERIAL,METRIC,NPT PIPE AND ANSI FLANGES ARE AVAILABLE UPON REQUEST.
- (2) FINISH: FLAT BLACK



MODEL	HP	A	Ø B	Ø C	D
10SXT-F	191-265 HP	18.00	10.00	8.56	1.25
12SXT-F	266-335 HP	18.00	11.60	8.56	1.25
14SXT-F	336-450 HP	20.8	13.00	8.56	1.25
16SXT-F	451-640 HP	20.8	15.00	8.56	1.25

**CATALYTIC EXHAUST PRODUCTS LIMITED**  
 30 INTERMODEL DR. # 19-22, BRAMPTON, ON  
 TEL:(905)-799-9770 FAX:(905)-799-9771

TOLERANCES ARE AS FOLLOWS UNLESS NOTED OTHERWISE  
 1 DEC PLACE ±.015  
 2 DEC PLACES ±.010  
 3 DEC PLACES ±.005

DRAWN BY: Jose C. **B** DWG. NO. 10SXT-F\_16SXT-F REV

ISSUED:05/10/2006 SCALE:N/A WEIGHT: SHEET 1 OF 1