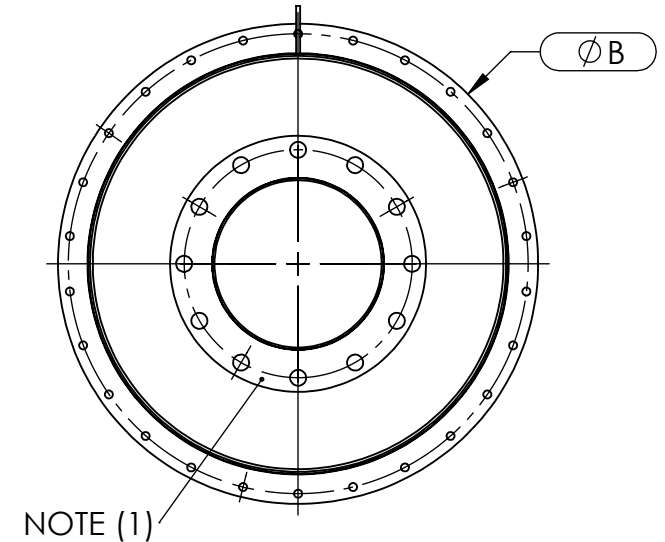
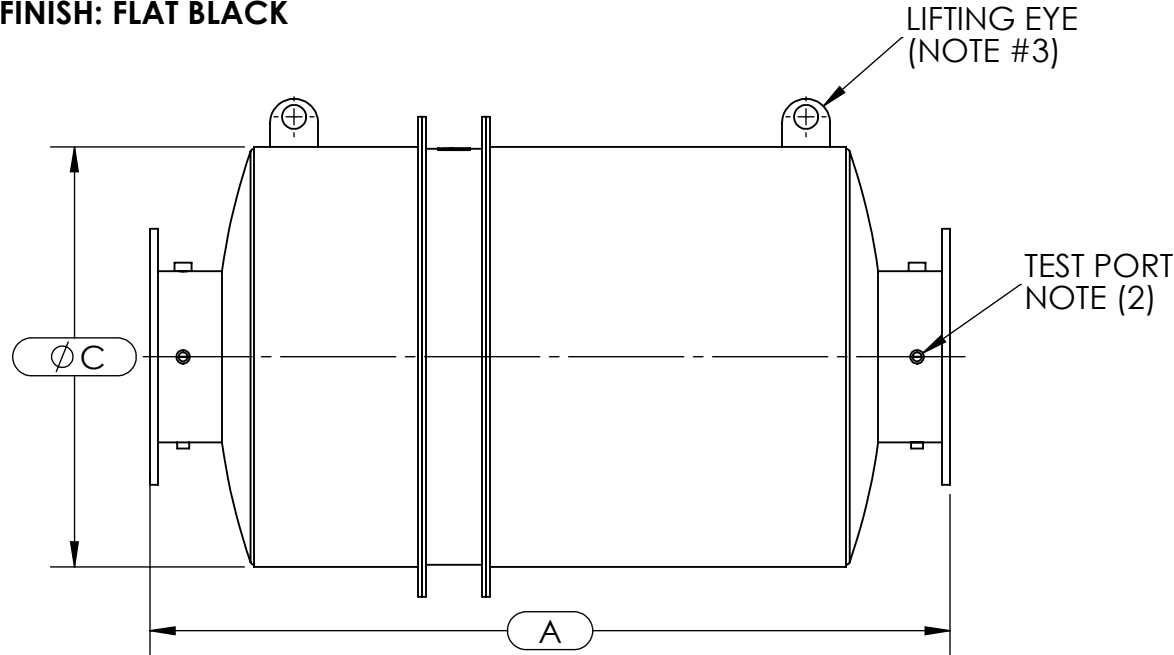


NOTES:

- (1) INLET/ OUTLET, ARE AVAILABLE IN IMPERIAL, METRIC OD-ID SLIP JOINTS, NPT PIPE AND ANSI FLANGES. (SPECIFIED BY PURCHASER)
* OTHER CONFIGURATIONS AVAILABLE UPON REQUEST
- (2) 1/4" , 3/8" , 1/2" NPT TEST PORTS.
- (3) LIFT EYES WILL BE ADDED ACCORDING TO LIFT POSITION (VERTICAL/HORIZONTAL)
- (4) FINISH: FLAT BLACK

REVISIONS				
ZONE	REV.	DESCRIPTION	DATE	APPROVED



MODEL	MAX ENGINE POWER		MAX EXHAUST FLOW		DIMENSIONS			TOTAL WEIGHT (kgs)
	HP	KW	ACFM	M3/MIN	A	B	C	
18SXC-F	850	634	6000	170	38.0"	21.0"	18.0"	85
20SXC-F	1000	746	7500	213	42.0"	23.0"	20.0"	105
22SXC-F	1300	970	9000	255	44.0"	25.0"	22.0"	137
24SXC-F	1500	1119	10750	305	48.0"	28.0"	24.0"	177
26SXC-F	1600	1343	12600	357	50.0"	30.0"	26.0"	222
28SXC-F	2100	1567	14600	414	52.0"	32.0"	28.0"	271
30SXC-F	2400	1791	16800	476	54.0"	34.0"	30.0"	327
32SXC-F	2700	2015	19000	539	60.0"	35.5"	32.0"	367
34SXC-F	3000	2238	21500	610	64.0"	37.5"	34.0"	410
36SXC-F	3500	2611	24000	680	70.0"	39.5"	36.0"	457

CATALYTIC EXHAUST PRODUCTS LIMITED

30 INTERMODEL DR. # 19-22, BRAMPTON, ON
TEL: (905)-799-9770 FAX: (905)-799-9771

TOLERANCES ARE AS FOLLOWS UNLESS NOTED OTHERWISE
1 DEC PLACE ±.015
2 DEC PLACES ±.010
3 DEC PLACES ±.005

**MODEL 18SXC-F TO 32SXC-F
DIMENSIONAL DETAILS**

DRAWN BY:
Mike.B

B DWG. NO. 18SXC-F_32SXC-F REV

ISSUED: 20/03/2014

SCALE: N/A WEIGHT:

SHEET 1 OF 1