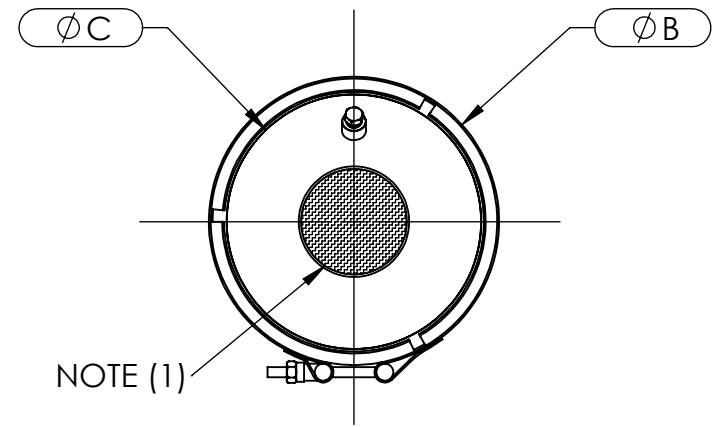
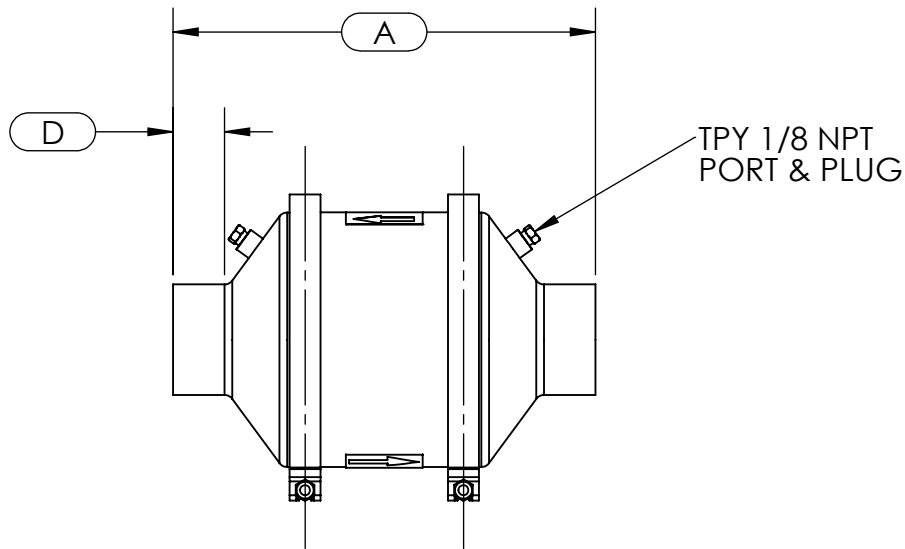
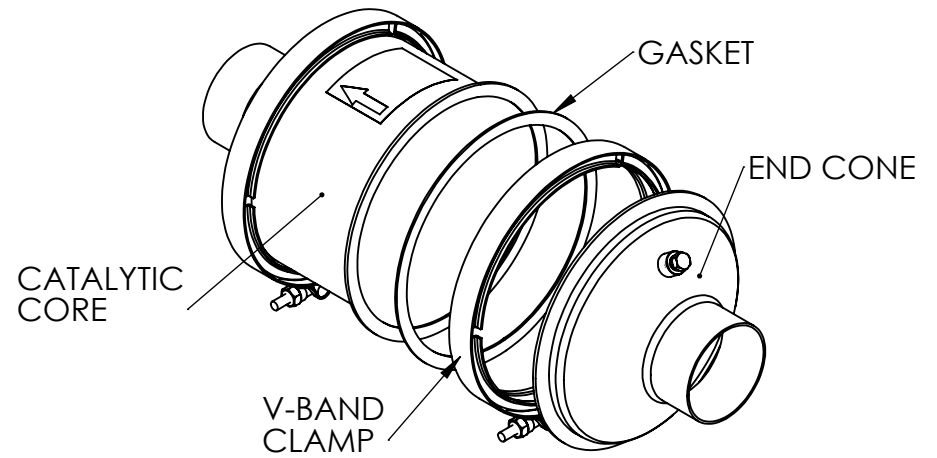


NOTES:

- (1) INLET/OUTLET, ARE AVAILABLE IN IMPERIAL, METRIC, NPT PIPE AND ANSI FLANGES.
- (2) FINISH: FLAT BLACK



MODEL	HP RANGE	DIMENSIONS				CATALYTIC EXHAUST PRODUCTS LIMITED 30 INTERMODEL DR. # 19-22, BRAMPTON, ON TEL:(905)-799-9770 FAX:(905)-799-9771			
		A	Ø B	Ø C	D				
4SXC-F	11-30 HP	9.00	4.63	3.63	1.00	<small>TOLERANCES ARE AS FOLLOWS UNLESS NOTED OTHERWISE</small> 1 DEC PLACE ±.015 2 DEC PLACES ±.010 3 DEC PLACES ±.005	MODEL 4SXC-F TO 8SXC-F DIMENSIONAL DETAIL		REV
5SXC-F	31-56 HP	9.50	5.63	4.63	1.25				
6SXC-F	57-90 HP	10.50	6.63	5.63	1.25				
7SXC-F	91-130 HP	11.00	7.63	6.63	1.25				
8SXC-F	131-190 HP	12.50	8.63	7.63	1.25				
						DRAWN BY: Jose C.	B DWG. NO.	4SXC-F_8SXC-F	
						ISSUED: 6/26/06	SCALE: N/A	WEIGHT:	SHEET 1 OF 1

5

4

3

2

1