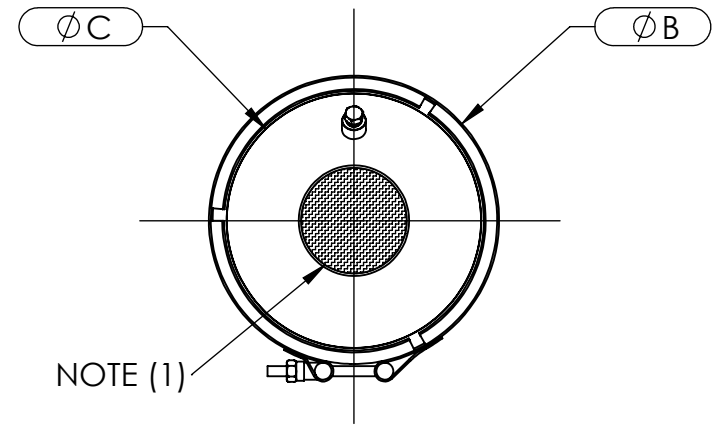
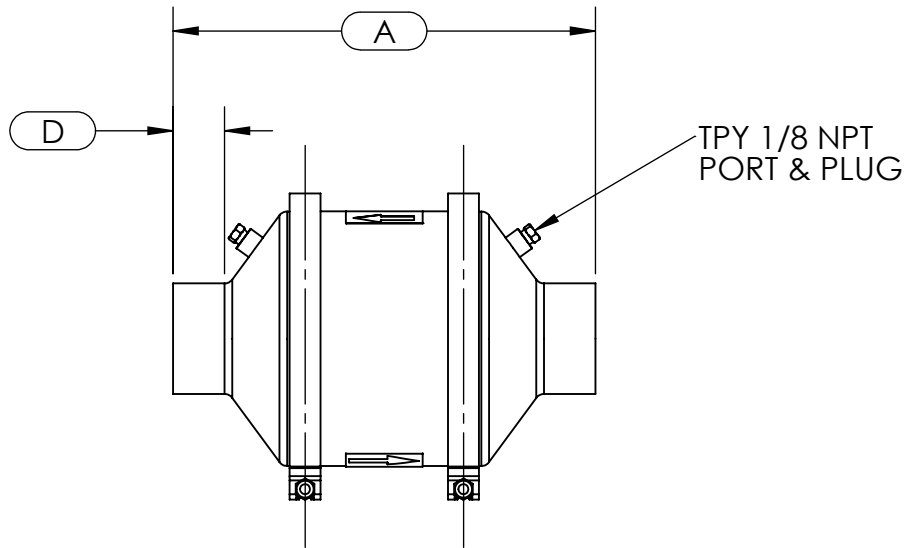
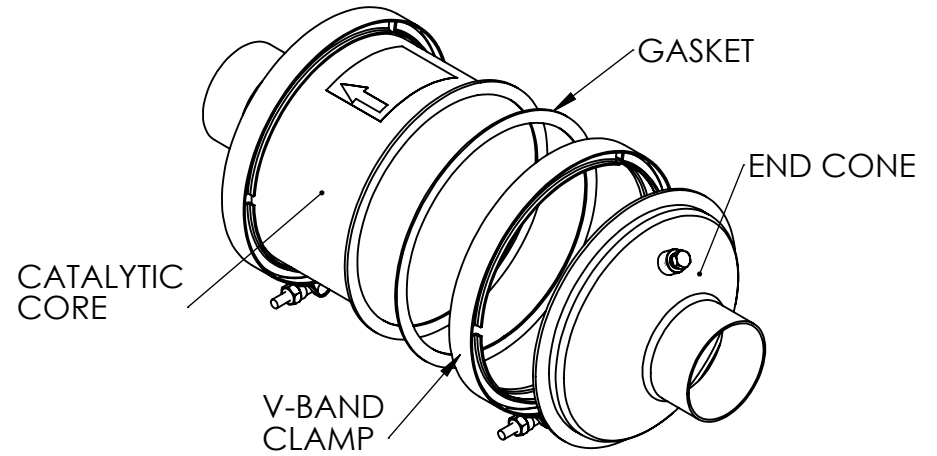


NOTES:

- (1) INLET/OUTLET, ARE AVAILABLE IN IMPERIAL, METRIC, NPT PIPE AND ANSI FLANGES.
- (2) FINISH: FLAT BLACK



MODEL	HP RANGE	DIMENSIONS				CATALYTIC EXHAUST PRODUCTS LIMITED 30 INTERMODEL DR. # 19-22, BRAMPTON, ON TEL:(905)-799-9770 FAX:(905)-799-9771			
		A	Ø B	Ø C	D				
4SXT-F	15-30 HP	9.00	4.63	3.63	1.00	<small>TOLERANCES ARE AS FOLLOWS UNLESS NOTED OTHERWISE</small> 1 DEC PLACE ±.015 2 DEC PLACES ±.010 3 DEC PLACES ±.005	MODEL 4SXT-F TO 8SXT-F DIMENSIONAL DETAIL		REV
5SXT-F	31-56 HP	9.50	5.63	4.63	1.25				
6SXT-F	57-90 HP	10.50	6.63	5.63	1.25				
7SXT-F	91-130 HP	11.00	7.63	6.63	1.25				
8SXT-F	131-190 HP	12.50	8.63	7.63	1.25				

DRAWN BY:
Jose C.

B

DWG. NO. **4SXT-F_8SXT-F**

ISSUED: 6/26/06

SCALE: N/A

WEIGHT:

SHEET 1 OF 1