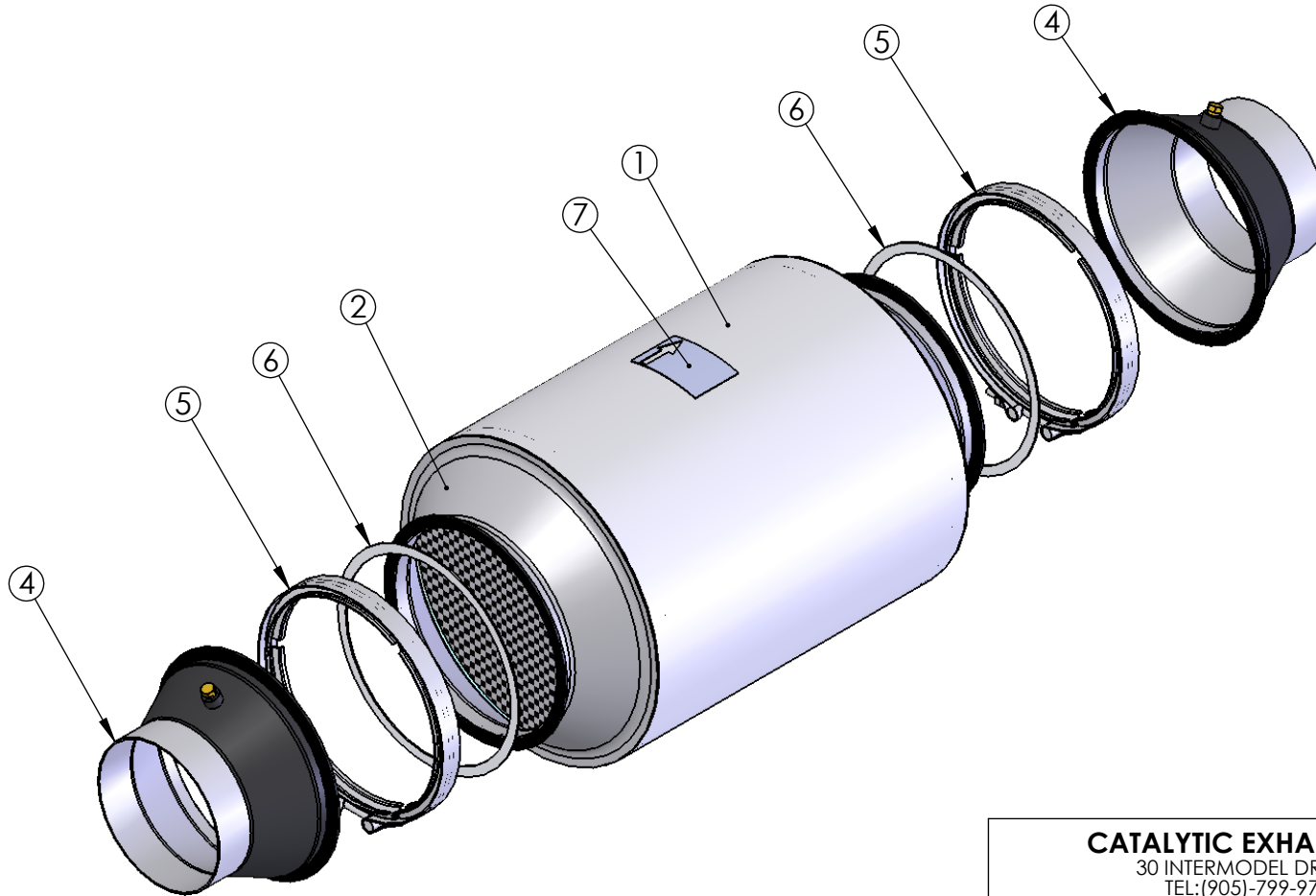


ITEM NO.	PART NUMBER	DESCRIPTION	QTY.
1	912SXS-2015SXS	DPF FILTER CORE	1
2	1125DPXR	REDUCER CONE	2
3	8-200	V-BAND FLANGE	2
4	8-155_A1-1001	8SX F STYLE END CONE W 1/8NPT	2
5	8-300	V BAND CLAMP	2
6	8-100	8SX-F TO 16SX-F GASKET	2
7	LABLE	PRODUCT LABEL	1



CATALYTIC EXHAUST PRODUCTS LIMITED

30 INTERMODEL DR. #19-22, BRAMPTON, ON
 TEL:(905)-799-9770 FAX:(905)-799-9771

TOLERANCES ARE AS FOLLOWS
 UNLESS NOTED OTHERWISE
 1 DEC PLACE ±.015
 2 DEC PLACES ±.010
 3 DEC PLACES ±.005

912SXS-2015SXS, COMPONENTS

DRAWN BY:
Mike.B

B DWG. NO. 912SXS-2015SXS

REV

ISSUED:.6/26/06

SCALE:N/A

WEIGHT:

SHEET 1 OF 1