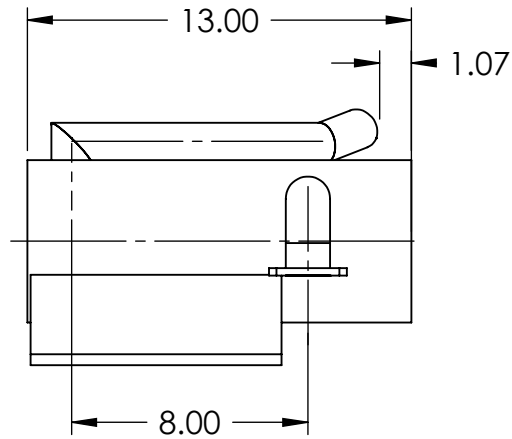
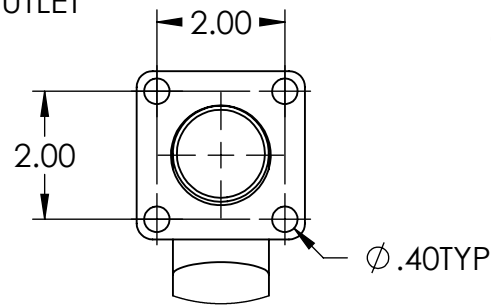
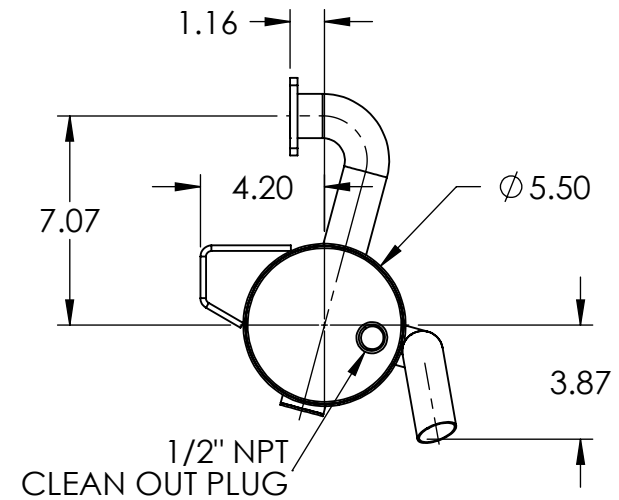
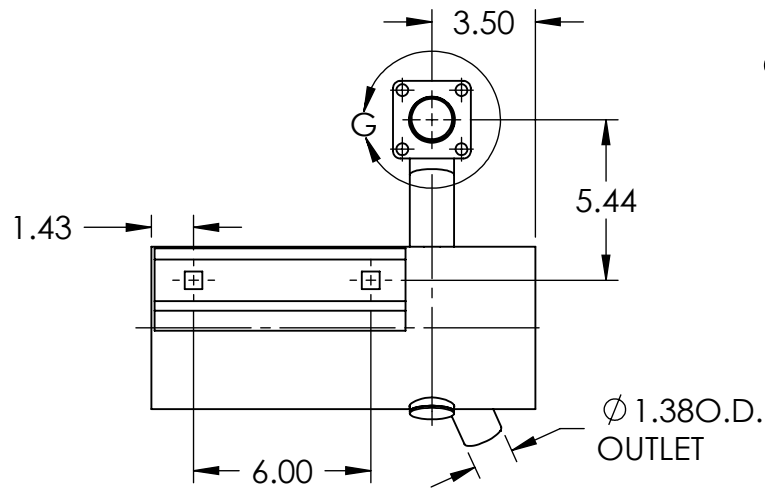
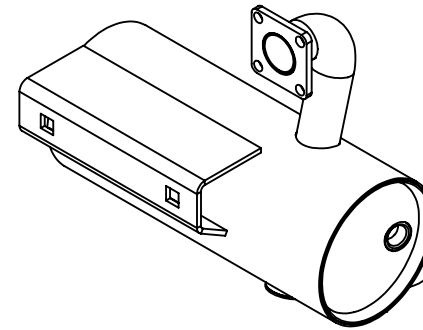


REVISIONS				
ZONE	REV.	DESCRIPTION	DATE	APPROVED



SALES COPY



DETAIL G

NOTES:
(1) MAKE:BOBCAT
(2) MODEL: 463C MINI-EXCAVATOR

CATALYTIC EXHAUST PRODUCTS LIMITED

30 INTERMODEL DR. # 19-22, BRAMPTON, ON
 TEL:(905)-799-9770 FAX:(905)-799-9771

TOLERANCES ARE AS FOLLOWS
 UNLESS NOTED OTHERWISE
 1 DEC PLACE ±.015
 2 DEC PLACES ±.010
 3 DEC PLACES ±.005

4SX-6732282

DRAWN BY:
Mike.B

B

DWG. NO. SALES,4SX-6732282

REV

ISSUED:12/01/06

SCALE:N/A

WEIGHT:

SHEET 1 OF 1